

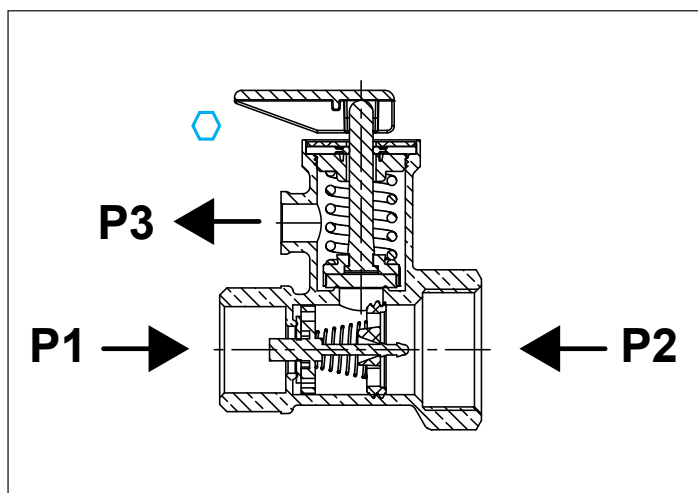
# Safety valves for water heaters\*

## GS08 - GS09

### / Function

Safety valves are designed to protect storage water heaters from internal overpressure. In addition, they limit and prevent (depending on requirements) the return of hot water into the supply pipe.

**\*If marked ICMA, to be understood as a pressure limiting valve.**



**P1:** inlet water pressure  
**P2:** back pressure  
**P3:** set pressure (valve opening)

### / Technical specifications

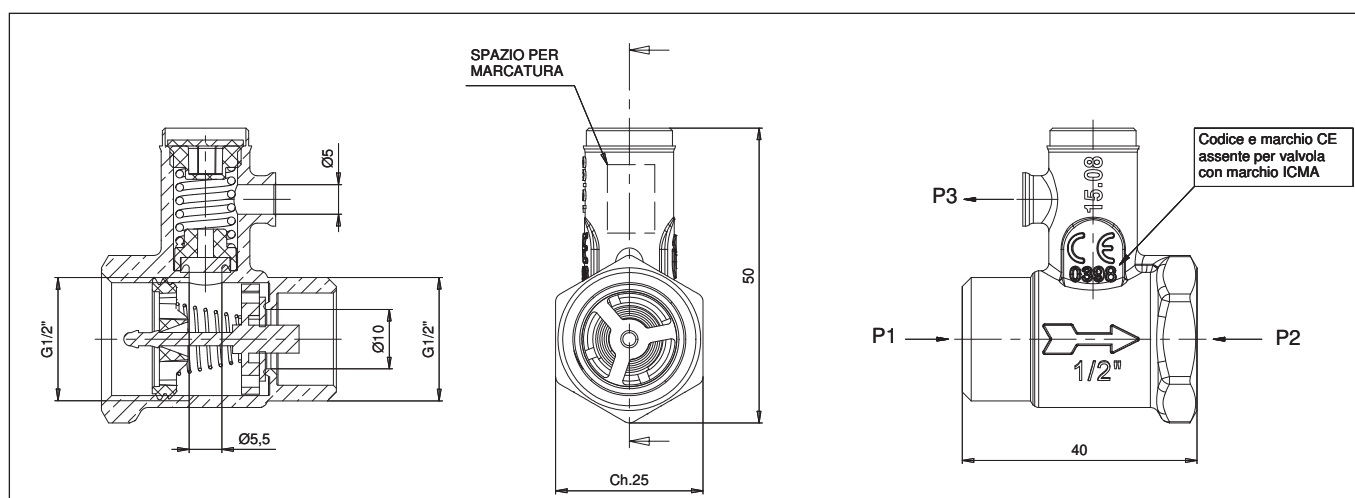
PERFORMANCE	
PED Category:	IV
Operating fluid:	Type 2 (water)
Max. operating temp.:	110°C
Max. operating pressure:	10 bar

### / Product range

#### Art. GS08 1/2"

Art.	Code	Set pressure P3	Notes
GS08	91GS08ADAN06	6	
GS08	91GS08ADAP06	7	
GS08	91GS08AD06	8.5	PRESSURE LIMITING VALVE marked ICMA
GS08	91GS08ADAS06	10	

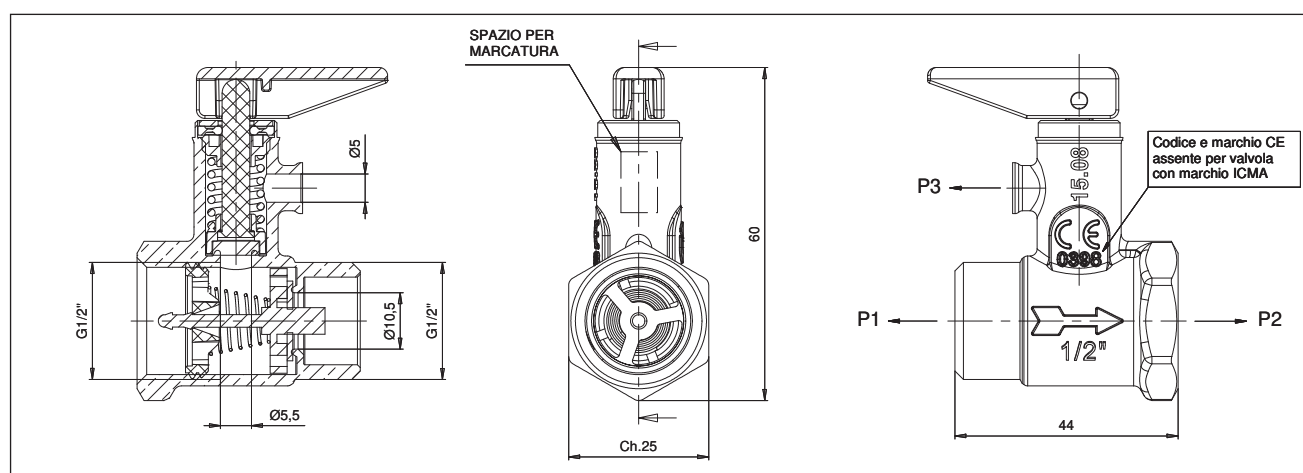
### Dimensions



#### Art. GS09 1/2"

Art.	Code	Set pressure P3	Notes
GS09	91GS09ADAN06	6	
GS09	91GS09ADAP06	7	
GS09	91GS09AD06	8.5	PRESSURE LIMITING VALVE marked ICMA
GS09	91GS09ADAS06	10	

### Dimensions



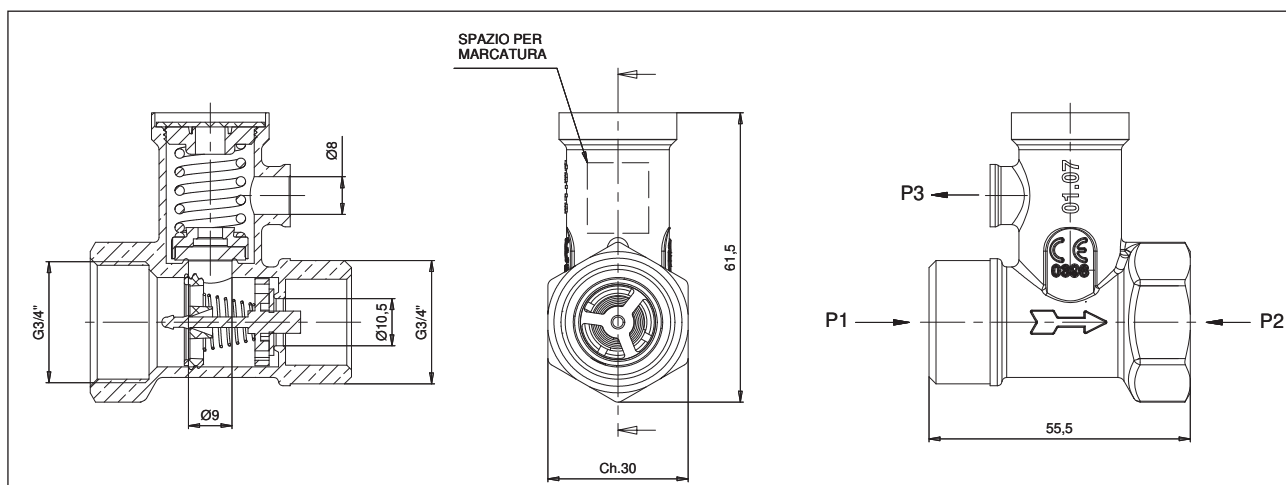
# Safety valves for water heaters\*

## GS08 - GS09

### Art. GS08 3/4"

Art.	Code	Set pressure P3
GS08	91GS08AEAN06	6
GS08	91GS08AEAP06	7
GS08	91GS08AE06	8.5
GS08	91GS08AEAS06	10

### Dimensions



### Art. GS09 3/4"

Art.	Code	Set pressure P3
GS09	91GS09AEAN06	6
GS09	91GS09AEAP06	7
GS09	91GS09AE06	8.5
GS09	91GS09AEAS06	10

### Dimensions

