

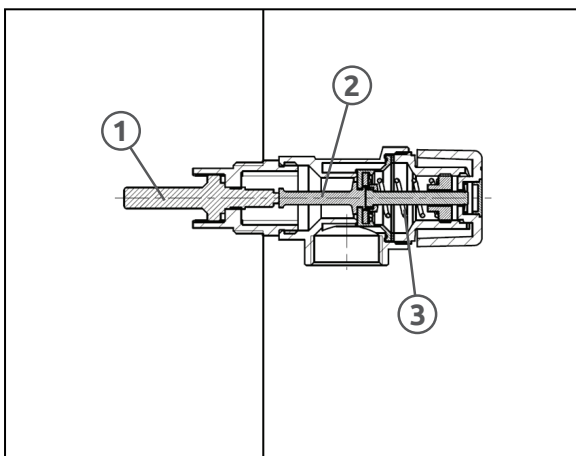
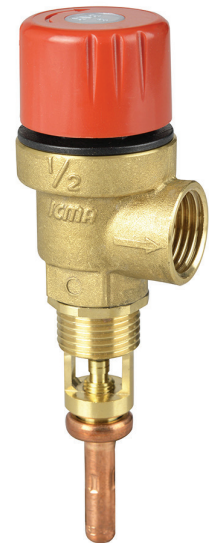
/ Function

The temperature and pressure relief valve discharges the hot water contained in a sanitary solar tank when the temperature is over 100°C or when the pressure is exceeding valve set value. The valve closes when the pressure and/or the temperature decrease within the set tolerances. The valve starts opening at a temperature between 98°C and 100°C.

/ Principle of operation

The discharge begins in case of:

- **Excessive temperature:** the thermostatic element (1) expands as the temperature increases. This expansion causes the movement of a thrust pin (2) which opens the valve. The valve setting is on temperatures above 100 °C.
- **Excessive pressure:** the shutter, held down by a calibrated spring (3), rises when the water pressure reaches the set pressure. The set pressure is chosen according to the maximum operating pressure allowed by every single component in the system. As temperature and pressure drop down, the valve shut closes automatically.



/ Products

Art.	Code	Size	Bar
266	91266ADAF	1/2 M x 1/2 F	3
266	91266ADAN	1/2 M x 1/2 F	6
266	91266ADAQ	1/2 M x 1/2 F	8
266	91266AEAF	3/4 M x 3/4 F	3
266	91266AEAN	3/4 M x 3/4 F	6
266	91266AEAN	3/4 M x 3/4 F	8

Technical features

Materials

Body: Brass CW 617 N - UNI EN 12165
 Steam: Brass CW 617 N - UNI EN 12164
 Obturator and diaphragm: EPDM
 Spring: Steel UNI EN 10270-1 SH
 Obturator and diaphragm: ABS Yellow

Performance

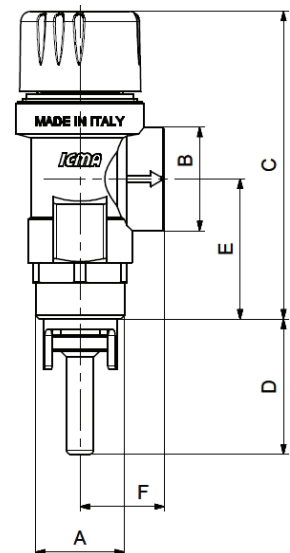
Nominal pressure: PN10
 Discharg rating 1/2": 10 kW
 Discharg rating 3/4": 25 kW
 Fluid: Water/water-glycol mixture 50% max

Settings

Temperature: 100°C
 Pressure: 3-6-8 bar

Dimensions

Code	A	B	C	D	E	F
91266AD...	G 1/2"M	G 1/2"F	80	54	33	24
91266AE...	G 3/4"M	G 3/4"F	90	54	40	25



Installation

The temperature and pressure relief valves must be installed by qualified technical personnel after sizing correctly the heating system.

Assembly

The temperature and pressure relief valves must be installed on the top of the water storage tank, making sure that the temperature sensor is correctly submerged in the tank. The valves can be fitted vertically or horizontally, but not overturned. This prevents debris from impairing operation.

