

Ball Valve

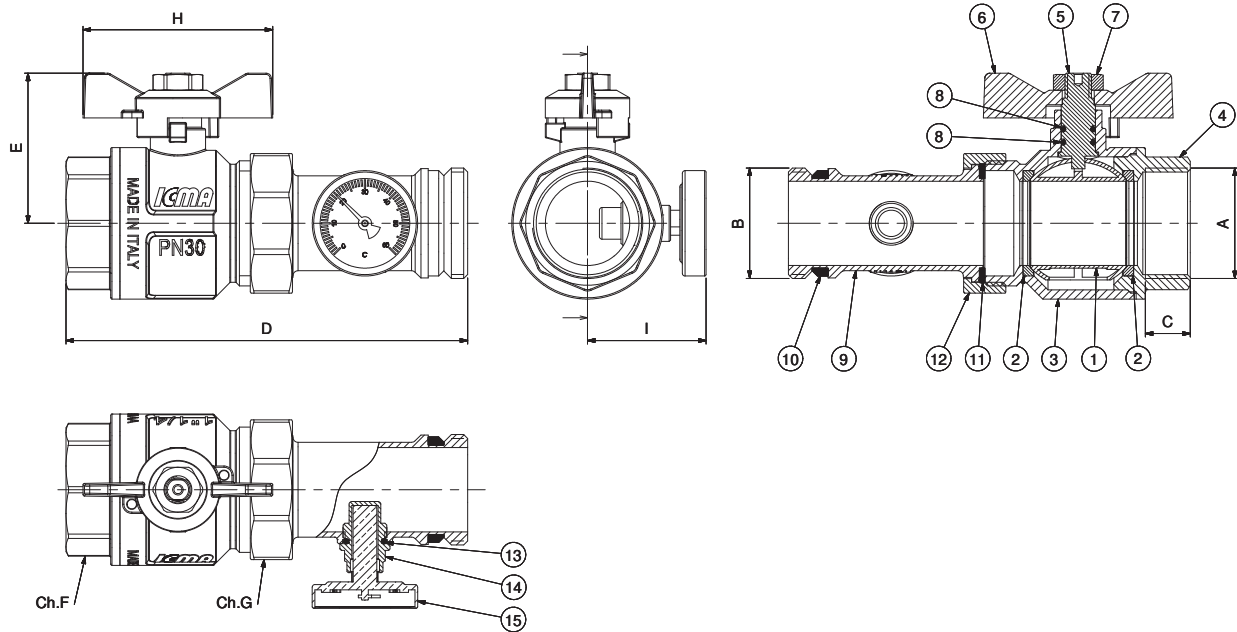
216

/ Function

Full bore ball valve with revolving connection, red/blue coated alloy handle, flat seat pipe junction, double o-ring anti-explosion command rod. Suitable for water in heating/cooling systems.



/ Componenti e dimensioni



P.N.	DESCRIPTION	MATERIAL
1	SPHERE	CW617N - UNI EN 12165 - CHROME PLATED
2	SEAT GASKET	PTFE
3	BODY	CW617N - UNI EN 12165
4	SLEEVE	CW617N - UNI EN 12165
5	COMMAND ROD	CW617N - UNI EN 12165
6	HANDLE	RED/ BLUE COATED ALLOY
7	NUT	ZINC PLATED STEEL
8a	O-RING	NBR
8b	O-RING	VITON
9	PIPE JUNCTION	CW617N - UNI EN 12165
10	GASKET	EPDM PEROX
11	GASKET	EPDM PEROX
12	SHELL	CW617N - UNI EN 12165
13	O-RING	EPDM PEROX
14	THERMOMETER HOLDER	CW617N - UNI EN 12164
15	THERMOMETER	COMPOSITE

	SIZE	HANDLE	PN (bar)	DN	A	B	C	D	E	F	G	H	I
87216AF11	1"	ROSSA	40	25	G 1"	G 1"	14	125	47	38	46	64	45
87216AF12	1"	BLU	40	25	G 1"	G 1"	14	125	47	38	46	64	45
87216AG11	1" 1/4	ROSSA	30	32	G 1"1/4	G 1"1/4	17	155	57	47	53	72	48
87216AG12	1" 1/4	BLU	30	32	G 1"1/4	G 1"1/4	17	155	57	47	53	72	48

Field of use

Min. operating temperature: -20°C with 50% glycol solutions
 Max operating temperature: 150°C
 Max operating pressure at 20°C

	1"	1"1/4
bar	40	30
psi	580	435

Pressure loss at 20°C

Kv	38	56
----	----	----

Ball valve - Art. 216
PRESSURE LOSS DIAGRAM

