

Description

Adapters for PE-Xa and PE-RT pipes intended for hydronic heating systems and snow/ice melting systems using heat transfer fluid circulation.

Technical specifications

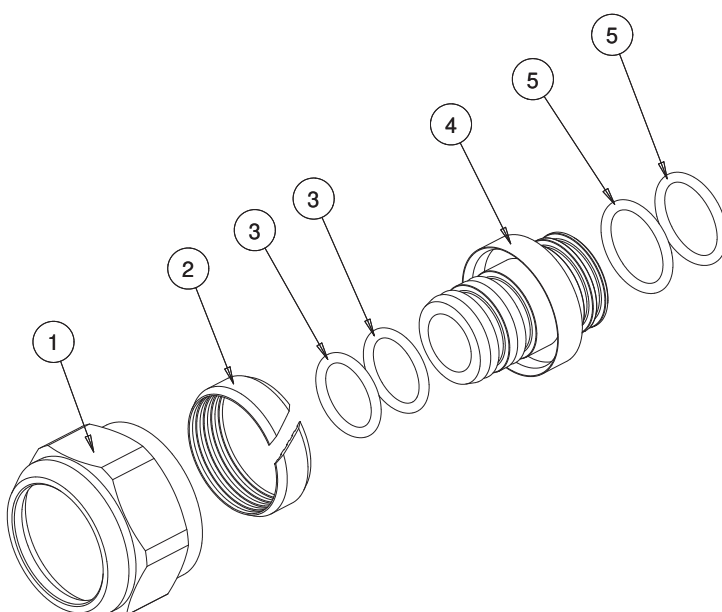
Compatible fluids:	water and glycol solutions (max. 50% glycol)
Maximum operating pressure:	<p>Minimum ambient temperature: -40 °C (-40 °F)</p> <p>Fitting + PE-Xa pipe: 160 psi @ 73 °F (11 bar @ 23 °C) 100 psi @ 180 °F (6.9 bar @ 83 °C) 80 psi @ 200°F (5.5 bar @ 94°C)</p> <p>Fitting + PE-RT pipe: 200 psi @ 73°F (13.8 bar @ 23°C) 100 psi @ 180°F (6.9 bar @ 83°C)</p>



Product range

ART.	CODE	PIPE SIZE	EXTERNAL PIPE SIZE	FITTING THREAD
110	81110MA06	1/2"	5/8"	3/4"
110	81110MB06	3/4"	7/8"	3/4"

Components and materials



COMPONENT	MATERIAL
1. Ring nut	Brass CW617N
2. Pipe clamp	Brass CW614N
3. Internal O-Ring	EPDM
4. Adapter	Brass CW617N
5. External O-Ring	EPDM