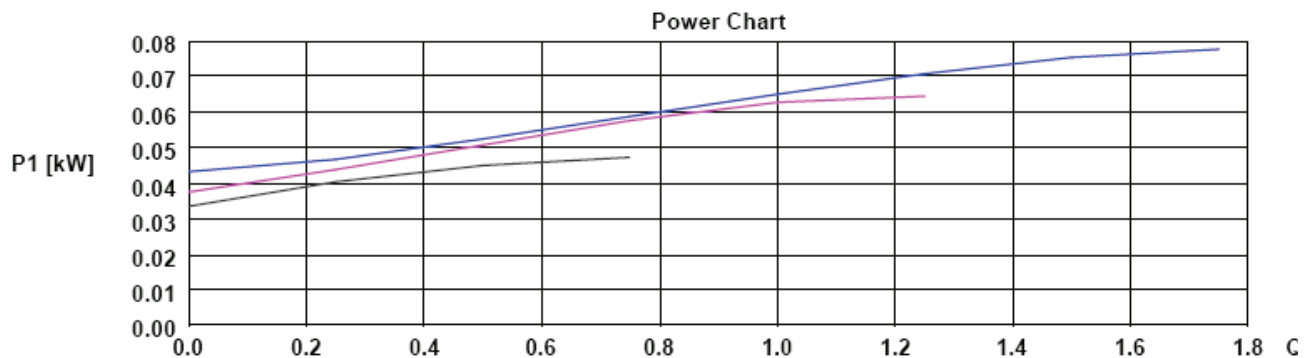
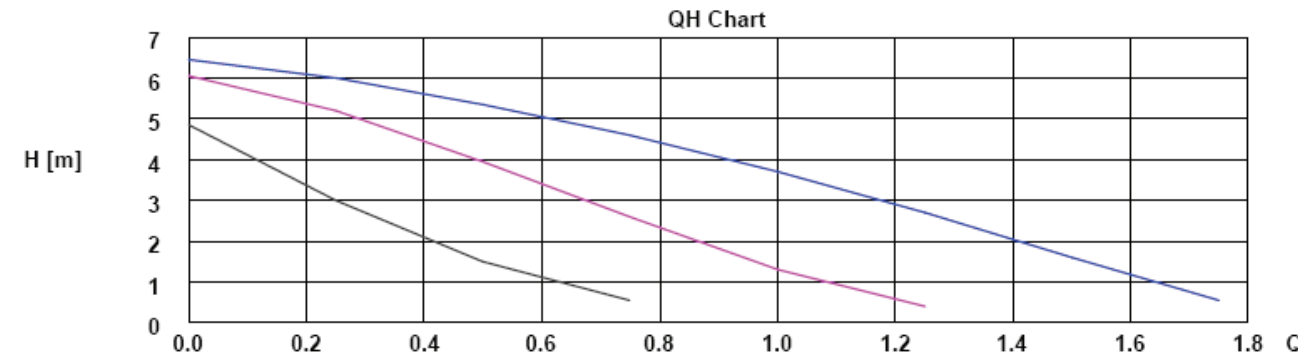
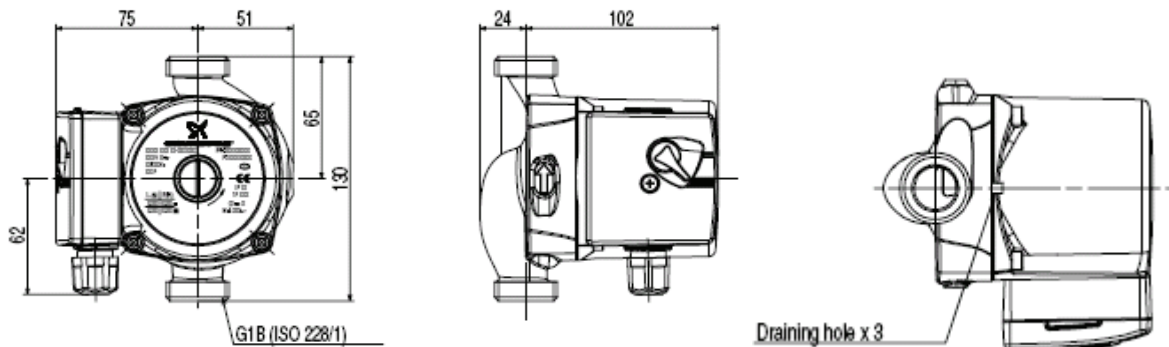


Solar Thermal Pump **SOLAR 15 - 65** 130mm, 1 x 230 V, 50 Hz

Performance Curve (59C00307)



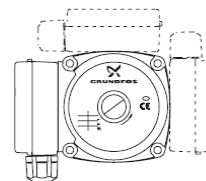
9 h



Performance Data as EEI Class C

Performance at Q = 0,5 m³/h		
Speed	P ₁ [W]	H [m]
3	52	5,4
2	51	4,0
1	45	1,5

Position of Terminal Box



Motor Protection

Impedance protected, Short circuit proof, No external motor protection required

Power Consumption

1 x 230 V, 50Hz
Max. 80 W
VDE-Code: GF5MC

Housing

Cast Iron EN-GJL-150/200
cataphoretic coated
G1 x 130 mm (Rp ½ unions)

Alternate Housings

G1x130 mm w. air outlet
AOS
G1½ x130 mm
G1½ x180 mm
Bronze G1or G¾ x130 mm

Enclosure Class

IX 42

Insulation Class

F

Liquid Temperature

+2°C to +110°C (peak 140°C)

System Pressure

Max. 1,0 MPa (10 bar)

Approvals



Temperature Class

TF 110

Net Weight

2,4 kg

Units per Pallet

192