

Electronic thermostat

P416

/ Description

Electronic wall-mounting thermostat designed for environment temperature control both for heating and cooling.

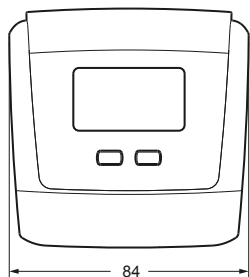
/ Functionality

- Power supply: battery - 2 x 1,5 V (type AAA) .
- Operating mode: summer/winter.
- ON/OFF or proportional temperature regulation.
- Off function with antifreeze temperature (adjustable).
- Bistable output relay 5 A/250 V AC.
- Two protection levels against undesired modifications:
 - to limit the range of settable value as setpoint.
 - to se the keypad lock by password.
- Digital input to reduce the chosen setpoint of 3°C through external contact or for external probe.

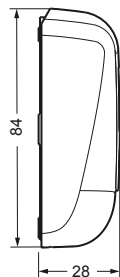


/ Codes and dimensions

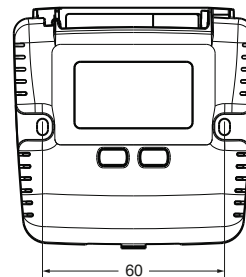
Art.	Code	Voltage
P416	88P4160199	Battery power



Front view



Side view



Rear view

/ Components

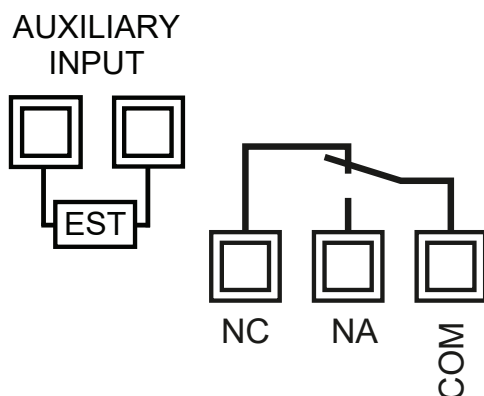


- 1 - Wall-mounting installation
- 2 - Terminals are in the back of the instrument for the connection to the external contact
- 3 - Keypad for the instrument programming
- 4 - Display to view the measured temperature and the programming parameters

/ Technical features

Alkaline batteries power supply:		2 x 1,5V (AAA)
Battery life:	months	12
Mounting:		wall
Maximum cable section:	mm ²	1,5
Output real capacity:		5A / 250 V
Digital input:		for setpoint reduction
Operating mode:		summer/winter
Setpoint range:	°C	2 ÷ 50
Differential:	°C	0,1 ÷ 1
Measured temperature resolution:	°C	0,1
Measurement precision:	°C	0,5
Antifreeze temperature:	°C	1 ÷ 10, removable
Operating temperature:	°C	0 ÷ 50
Storage temperature:	°C	-20 ÷ 65
Operating humidity:	RH	20% ÷ 90% non condensing
Protection degree:		IPXXD

/ Wiring diagram



With external contact closed:
Setpoint = Programmed setpoint -3°C

/ Applicable standards

Compliance with Community Directives: 2014/35/UE (LVD), 2014/30/UE (EMCD) is declared with reference to the following standards:

- EN 60730-2-9