

Electrothermic actuator normally open without micro switch - 980-983

/ Description

NORMALLY OPEN (NA) electrothermic actuators are ON-OFF electrical devices that can be installed on ICMA products with thermostatic option: distribution manifolds, zone valves and fan coil valves.

The electrothermic actuators automatically intercept the heat transfer fluid in the heating/cooling systems and can be controlled by a simple room thermostat.



European directives conformity



CE marking according to:

- 2014/35/CE (Low Voltage)
- 20 UE2015/863 (RoHS3)
- 2012/19/CE (RAEE).

/ Product range

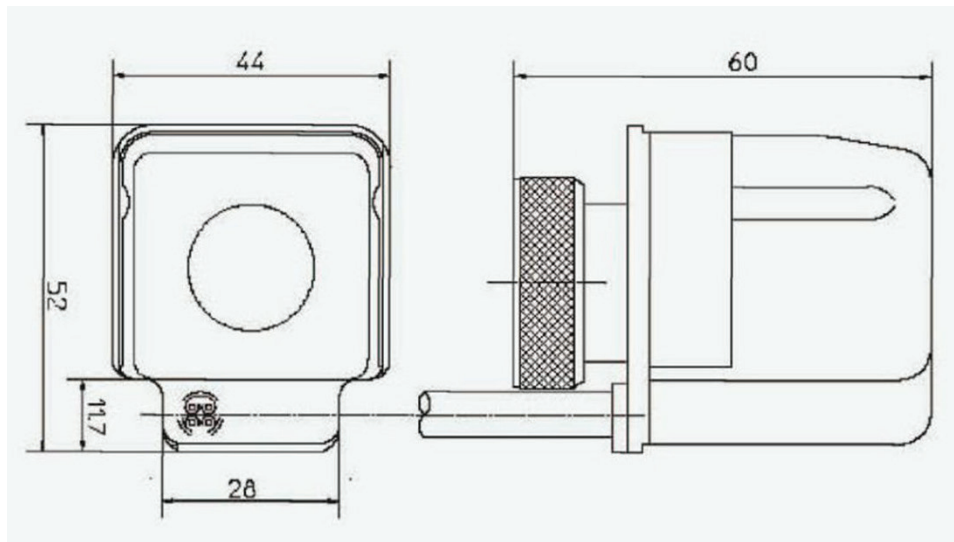
Article	Description	Connection	Voltage	Code
980	Electrothermic actuator ON-OFF	M30x1.5	24 V	82980NA54
980	Electrothermic actuator ON-OFF	M30x1.5	230 V	82980NA53
983	Electrothermic actuator ON-OFF	M28x1.5	24 V	82983NA54
983	Electrothermic actuator ON-OFF	M28x1.5	230 V	82983NA53

/ Technical characteristics

Nominal voltage:	24V / 230V
Frequency:	50÷60 Hz
Electric supply:	230 VAC/DC (+ 10% / - 15%) ; 24V
Running power consumption:	2W
Type of movement:	Linear
Actuator stroke:	4,5 mm
ICMA valves stroke:	3,5 mm
Operation time:	80 sec
Complete opening time:	3 min
Complete closing time:	3 min
Nominal closing force (power OFF) (CH)	110 N
Nominal closing force (power OFF) (AP)	90 N
Operating temperature:	5°C ÷ 50°C
Storage temperature:	-25°C ÷ +60°C
Valve connection:	M28x1,5 / M30x1,5
Connecting cable:	Type H05V2V2-F
Connecting cable length:	2x0,5 mm ² L= 1 m
International protection rating:	IP 54
Electrical insulation class:	Class II

Electrothermic actuator normally open without micro switch - 980-983

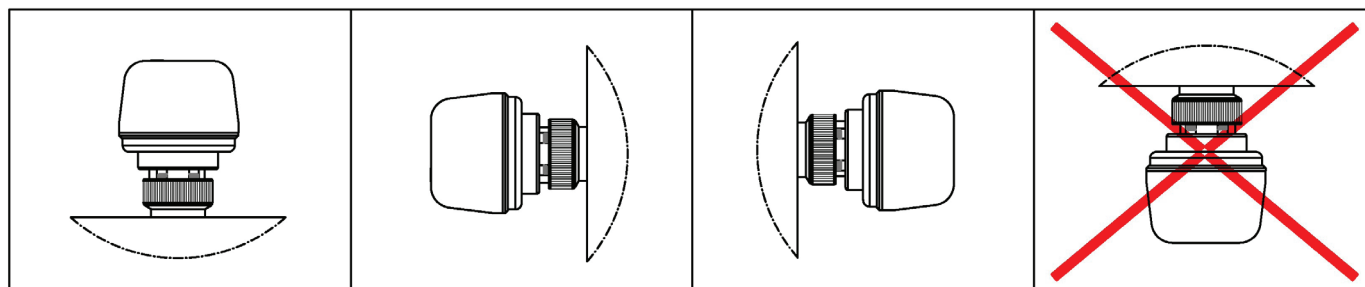
/ Dimensions



/ Installation

NA electrothermal actuators can be installed on the entire range of ICMA products with thermostatic option: distribution manifolds, zone valves and fan coil valves

A special threaded ring makes it easy to install the base of the quick-coupling system to the valve without having to remove it any longer, even during maintenance or replacement of the actuator.

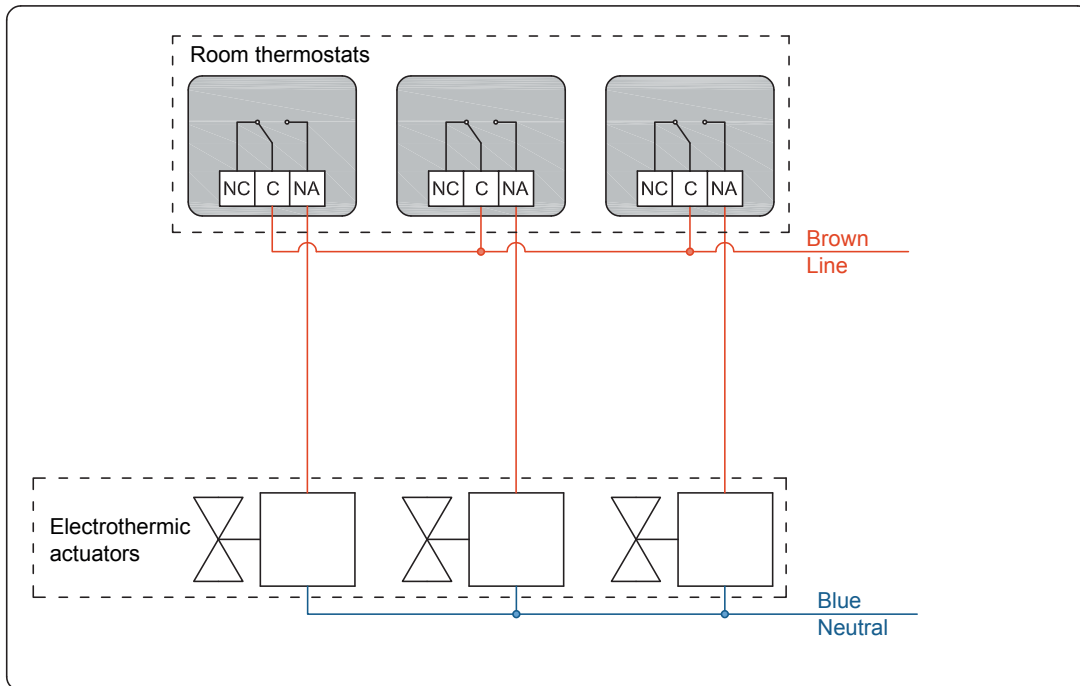


We recommend installing the electrothermic actuators in a horizontal or vertical position, never overturned! Possible condensation on valves and manifolds could reach and damage the actuator.

For the same reason, it is always advisable to install the electrothermic actuators in dry places and away from any possible contact with water or any other liquid

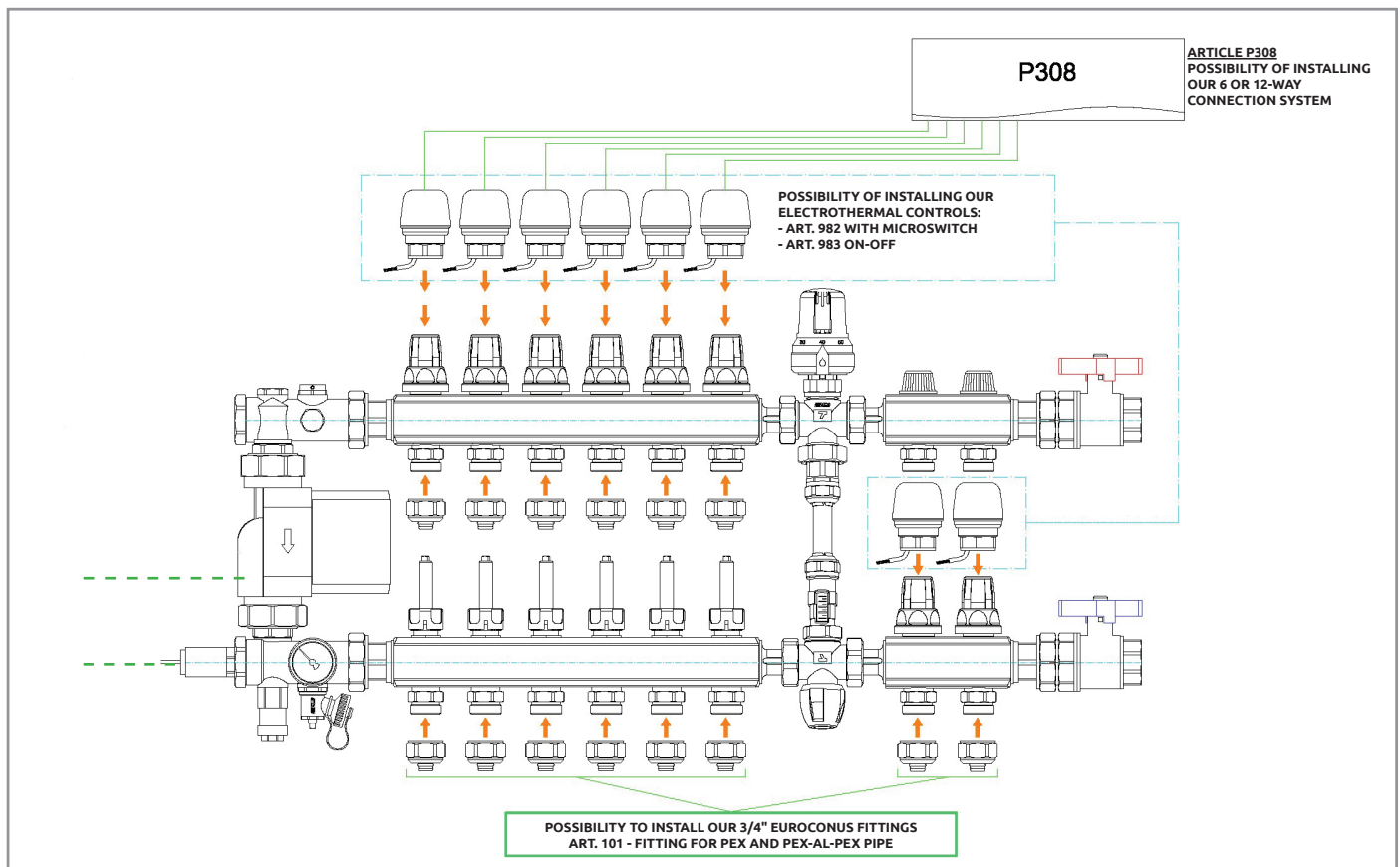
Electrothermic actuator normally open without micro switch - 980-983

Electrical connection



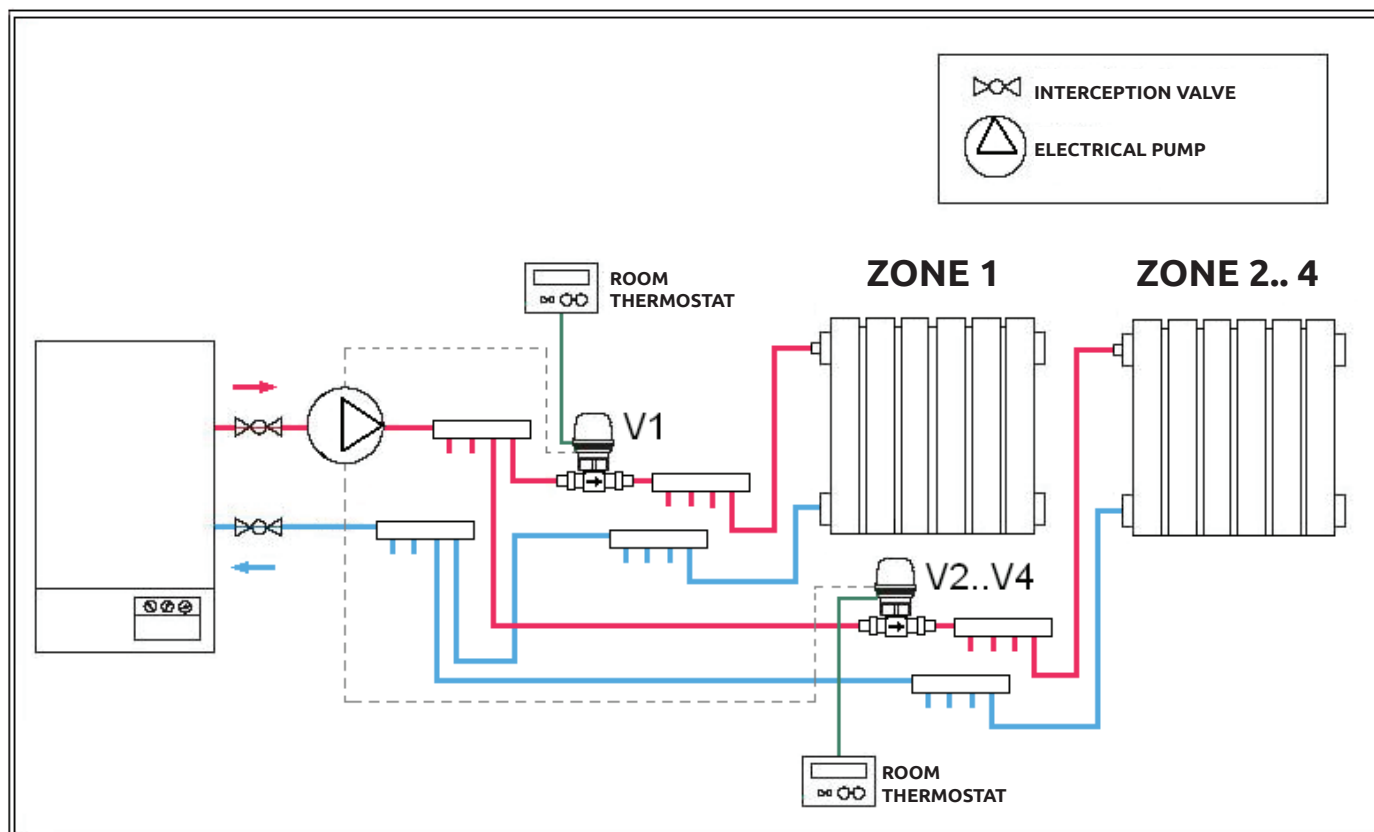
Installation scheme

Installation example on manifold for radiant panel system.



Electrothermic actuator normally open without micro switch - 980-983

Installation example on zone valve for radiator system



/ Safety specifications for installation and maintenance



Never open an electrothermic actuator, even in case of failure as this will cause irreparable damage to the device. The electrothermic actuator contains compressed elements, opening it can cause serious injury to persons. The electrothermic actuator supply cable cannot be replaced or repaired; if the cable is damaged, the actuator must be replaced.

Installation and inspection of electrothermic actuators must be carried by authorized and qualified personnel who are familiar with the instructions of this data sheet.

Before any intervention, make sure all equipment is not currently in use.