

Single and double-pipe valve

906-907-908-909-930-931-1136

/ Function

The thermostatic valves 906, 907, 908, 909, 930, 931 and 1136 can be used on systems with single-pipe and double-pipe type radiators.

The valves can only be installed via the lower radiator connection, which is used both as an inlet and as a fluid outlet.



906-907



908-909



930-931



1136

/ Products

Art.	Code	Size	Finish
906	81906AD06	24x1,5	Nickel
907	81907AD06	3/4"	Nickel
908	82908AD07	24x1,5	Chrome
909	82909AD07	3/4"	Chrome
930	82930AD13	24x1,5	White
931	82931AD13	3/4"	White
1136	821136AD09	3/4"	Matt black

/ Technical Features

PERFORMANCE

Operating fluids:	water and glycol solution
Maximum percentage of glycol:	30%
Max working pressure:	10 bar
Max differential pressure:	1 bar
Max working temperature:	100°C

MATERIALS

Body:	Brass CW 617 N UNI EN 12165
Headwork:	Brass CW 617 N UNI EN 12164
Spring and control rod:	Stainless steel
Hydraulic Seals:	EPDM perox
Knob:	ABS

/ Function Principle

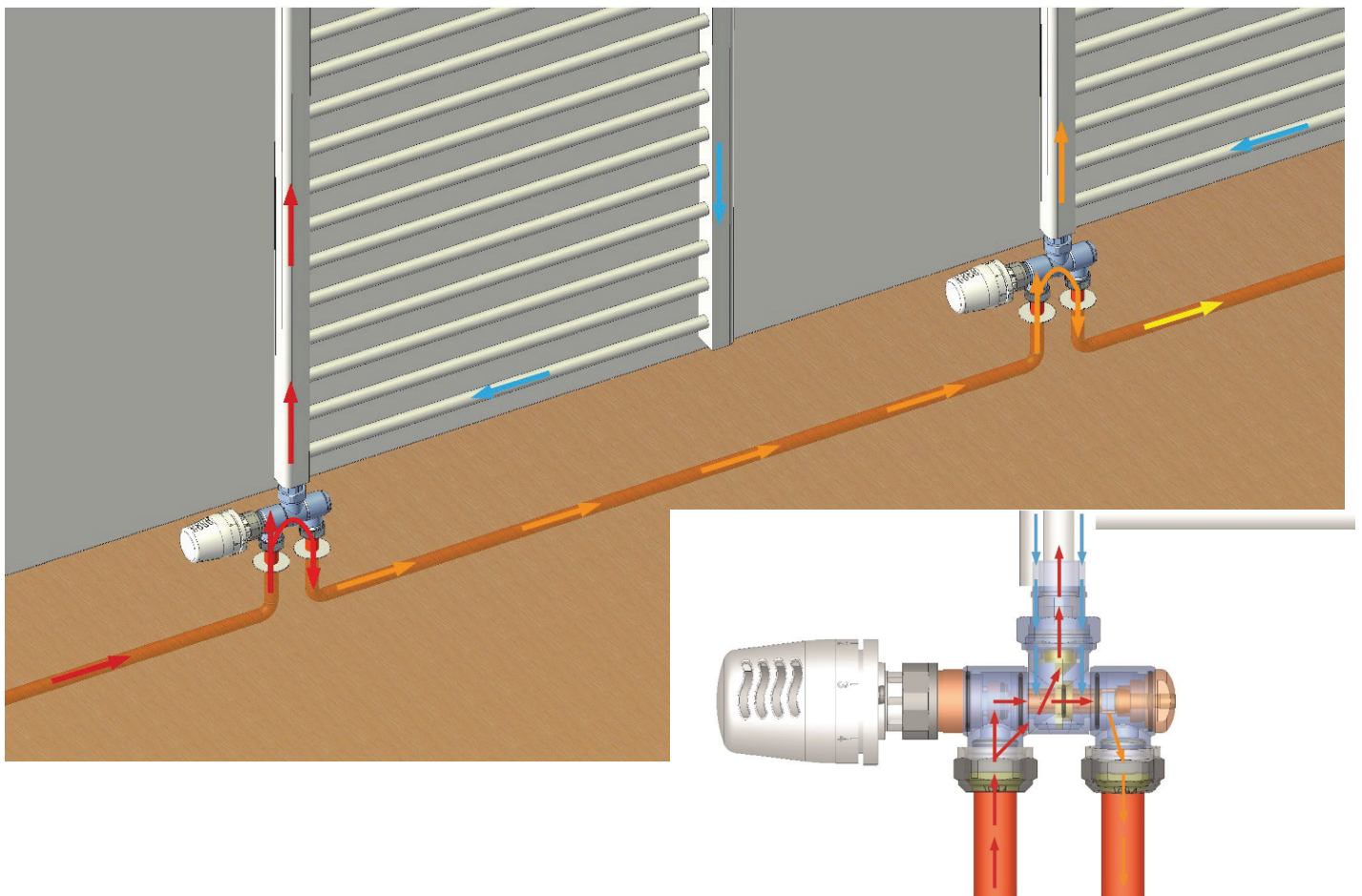
In single-pipe systems, the radiators are connected in series, with respect to each manifold derivation. The valves of this series set for this type of system, send only a part of the flow to the radiator, while the remaining part of fluid is bypassed and routed to the next radiator. In this way the radiators can be intercepted individually (for exclusion or maintenance), allowing the functioning of the radiators installed further downstream.

In the two-pipe system, the radiators are installed in parallel, with respect to all the manifold derivations. In this type of system, the valves send the radiator up to 60% of the inlet flow.

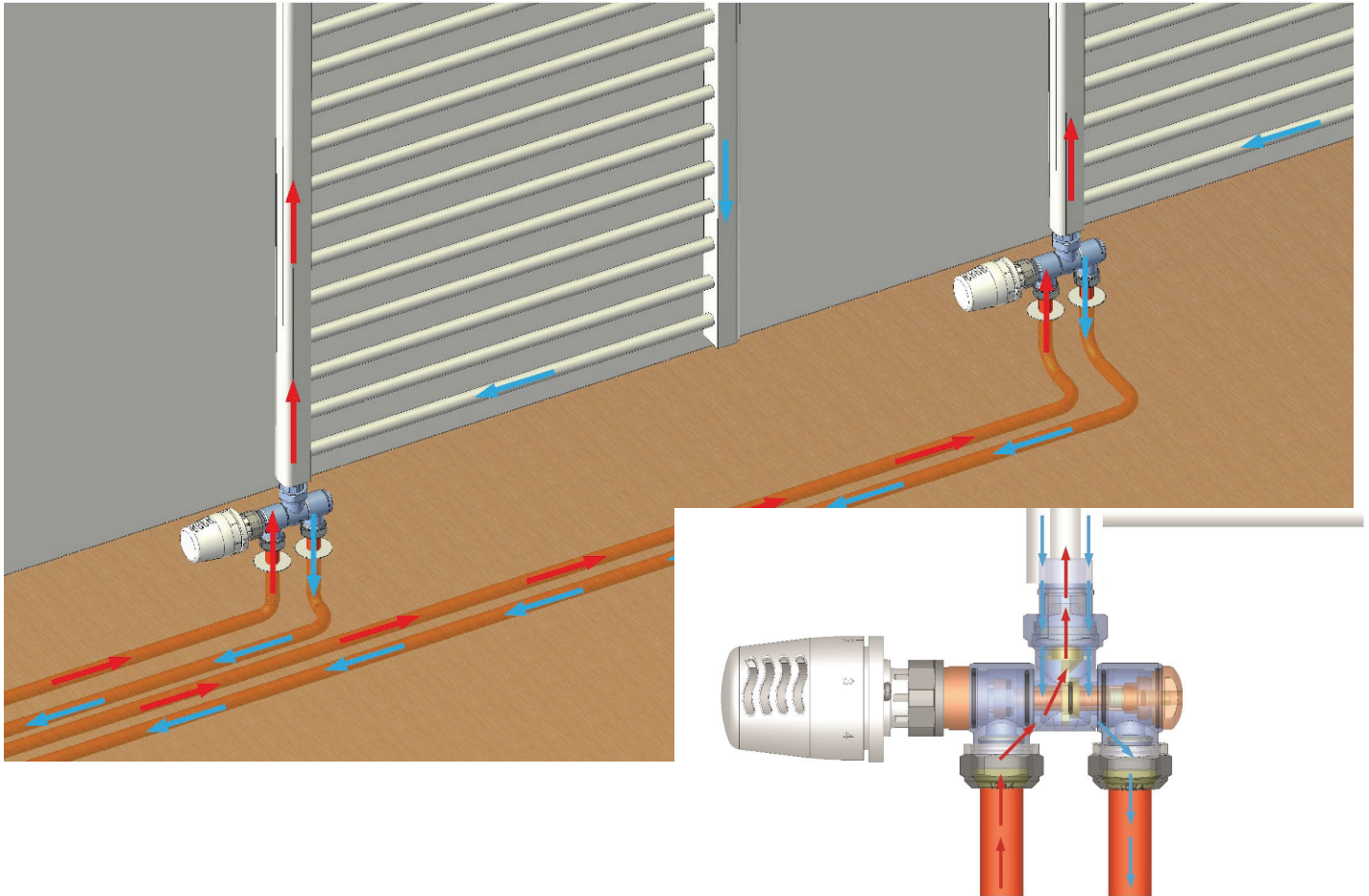
The valves of this series, in double pipe mode, incorporate in a single device the dual function of the manual valve and of the lockshield that characterizes the systems where the fluid inlet valve is connected to the upper connection of the radiator and the holder to the lower one.

/ Operating diagrams

Single-pipe example

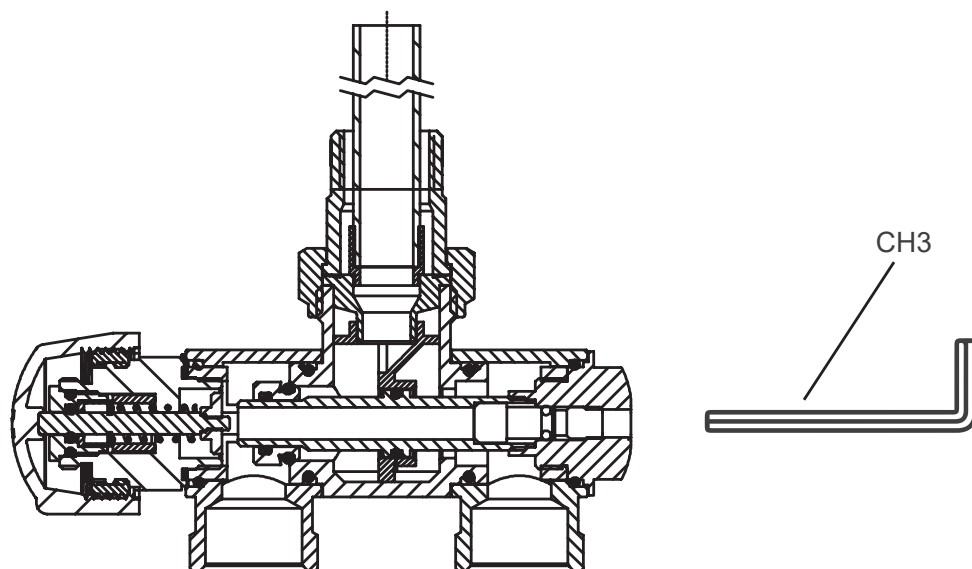


Double-pipe example



/ Single and Double-pipe Setting

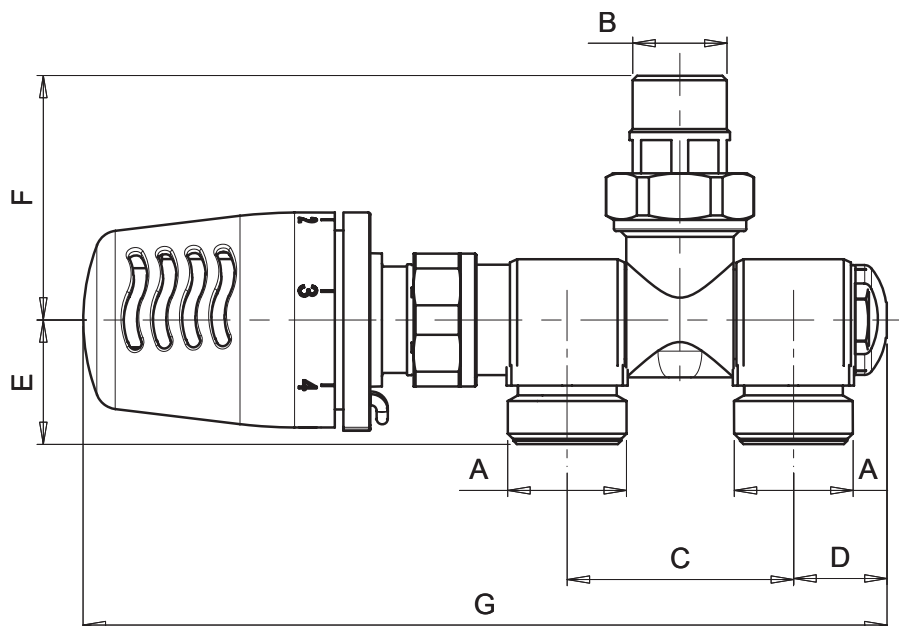
The thermostatic valves of this series can be set to single or double pipe function. To change from one function to another, simply turn the screw on the back of the valve using an Allen key CH 3



Single and double-pipe valve

906-907-908-908-930-931-1136

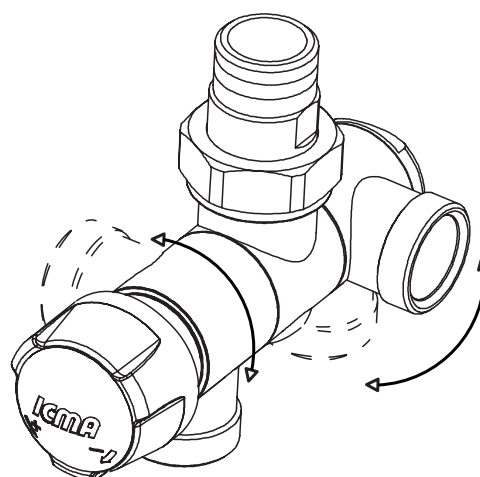
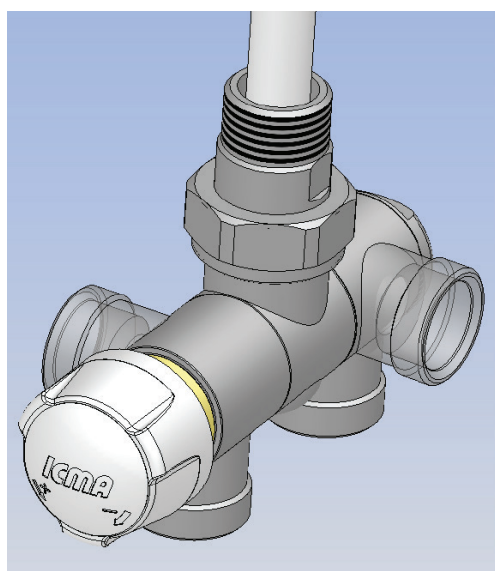
Dimensions



Series	Code	A	B	C	D	E	F	G
906-908-930	81906AD06	24x1,5	1/2"	50	21	28	55	179
	82908AD07							
	82930AD13							
907-909-931-1136	81907AD06	3/4"	1/2"	50	21	28	55	179
	82909AD07							
	82931AD13							
	821136AD09							

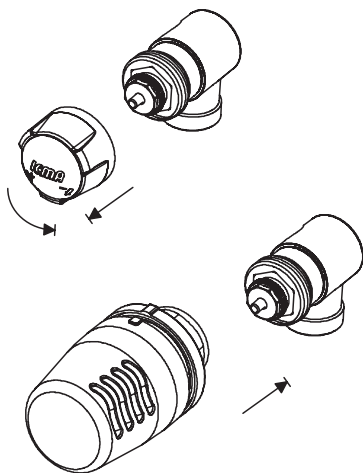
Valve Orientation

Thanks to the rotating rings, this series of valves allows an orientation to 270° with respect to the axis of the radiator.



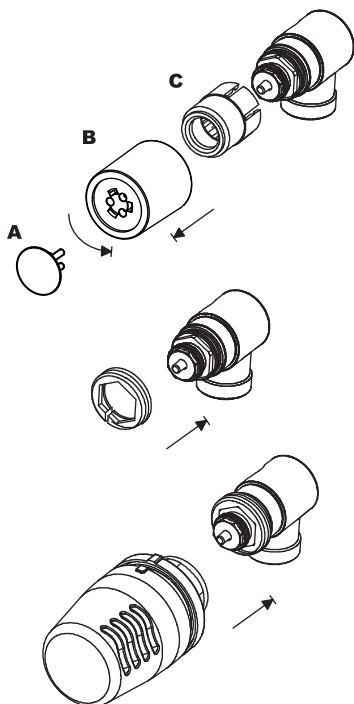
/ Assembly

Thermostatic Head Assembly Procedure (for Art.906-907)



- Unscrew the valve handwheel.
- Mount the thermostatic head

Thermostatic Head Assembly Procedure (for Art.908-909-930-931-1136)



- Remove the plate A;
- Unscrew the handwheel B;
- Remove the cap C;
- Fit the appropriate ring nut D in the package;
- Mount the thermostatic head

/ Assembly warning



If the use of tools for screwing is necessary, place a soft cloth over the ring to prevent damage to the decorated surfaces.

