

Ball valve

276

/ Function

Ball valve with revolving nut and flat seat



87276AEAF11



87276AE11

/ Technical characteristics

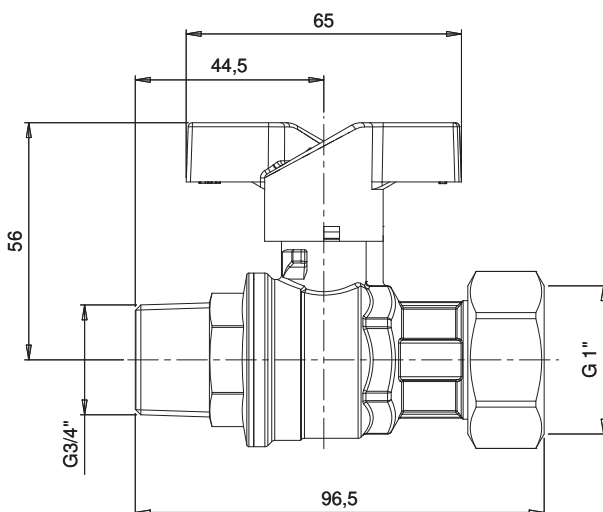
MATERIALS

Body:	Brass CW617N UNI 12165
Control rod:	Brass CW614N UNI 12164
Sphere	Brass CW617N UNI 12165
Ball gasket	PTFE
O-Ring (87276AEAF11)	2 x FKM
O-Ring (87276AE11)	EPDM
Gasket	Aramid fibre/NBR

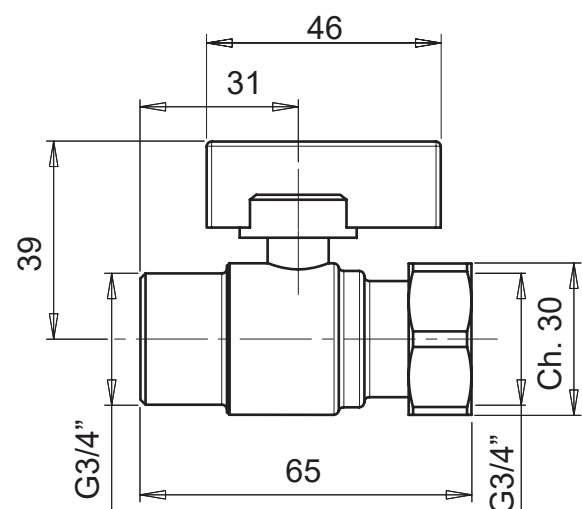
PERFORMANCE

Working fluids	water, glycol solution 50%max
Max working pressure	10 bar
Temperature range	-5 ° ÷ 110°C
Max pressure differential	10 bar

/ Dimensions

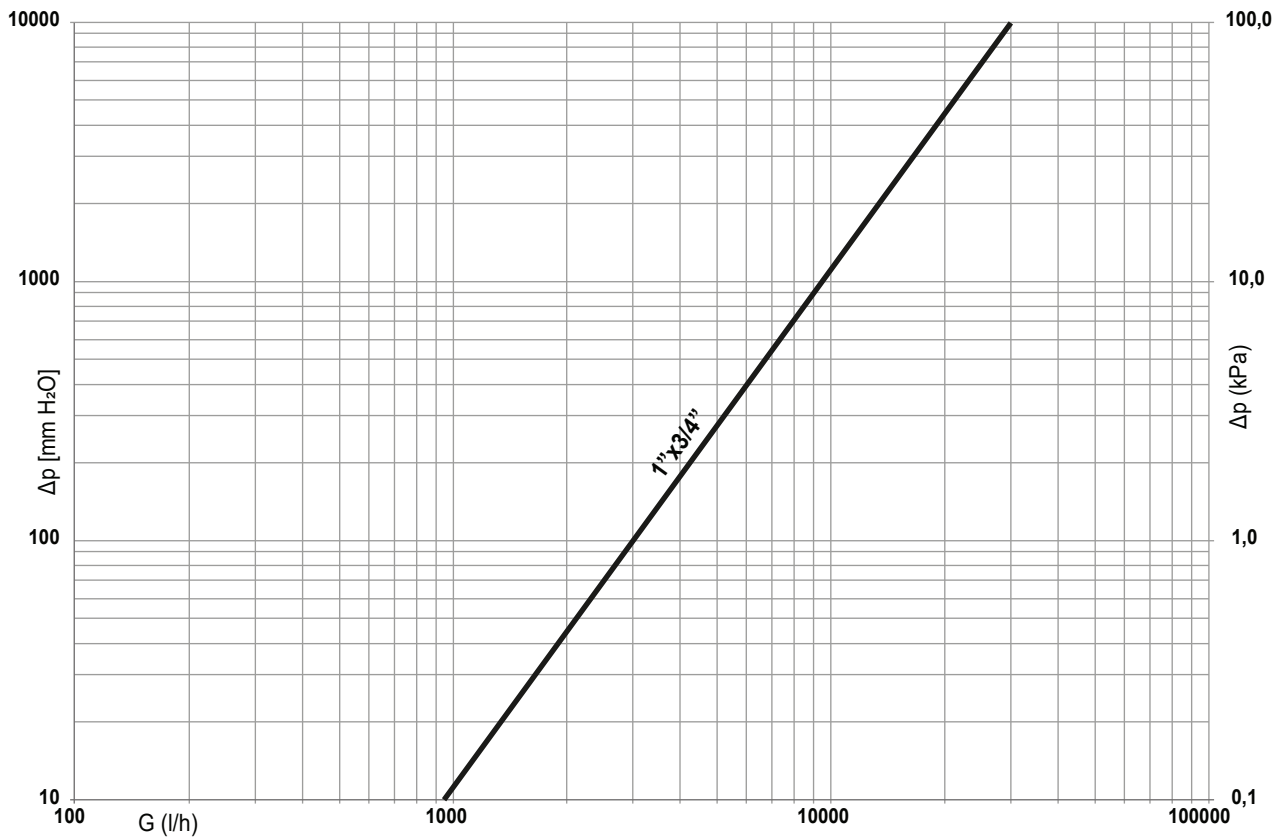


87276AEAF11



87276AE11

/ Pressure loss diagram (87276AEAF11)



Model	1" x 3/4"
Kv	30
PN	16