

/ Description

Fitting for Pex and Pex-Al-Pex pipe with 1/2" thread.



98

/ Technical data

Working fluids:	water
Temperature range:	5°C÷90 °C
Max. working pressure	10 bar



98L

/ Working pipes

Cross-linked polyethylene pipes: Icma P198 pipe



98LB

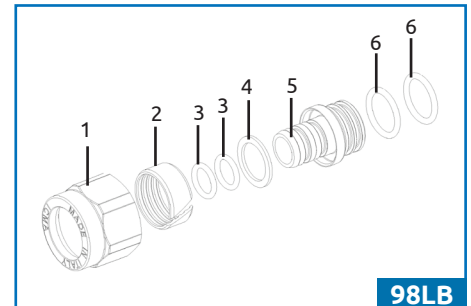
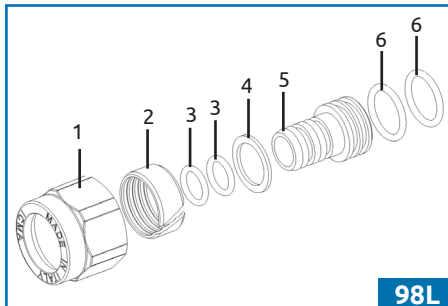
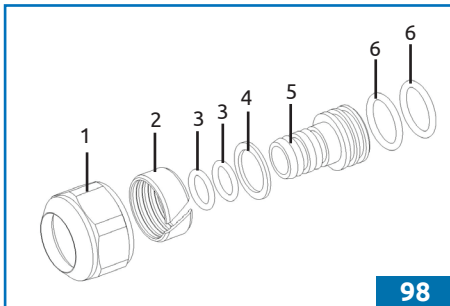
/ Products

ART.	CODE	PIPE SIZE	EXT. PIPE SIZE	INT. PIPE SIZE	FITTING THREAD
98	81098GI06	16x1,5	16	13	1/2"
98	81098BN06	14x2	14	10	1/2"
98	81098GH06	16x2	16	12	1/2"
*98L	81098LGH06	16x2	16	12	1/2"
98	81098BO06	16x2,2 - 16x2.25	16	11,6 - 11.5	1/2"
**98LB	81098LBGH06	16x2	16	12	1/2"

* Extended nut version

** Extended flange nut version

/ Components and materials



COMPONENT	MATERIAL
1. Nut	Brass
2. Elastic ring	Brass
3. Internal O-Ring	EPDM
4. Separation washer	PVC
5. Adapter	Brass
6. External O-Ring	EPDM

/ Installation

1. Cut the pipe perpendicularly to its axis
2. Remove any residuals from the cutting
3. Flare the tube
4. Insert the cap on the tube
5. Insert the elastic ring on the tube
6. Lubricate the O-rings and internal surfaces of the tube
7. Insert the fitting into the tube until it stops
8. Connect the wide side of the fitting to the manifold
9. Tighten the loop on the manifold thread with a tightening torque of 15-20 Nm

/ Warnings



Applying a tightening torque of less than 15-20 Nm could compromise the correct functioning of the fitting.