

/ Description

Foot valve is an automatic device that is generally installed at the inlet of suction pipe to prevent the emptying of pipes in pumping systems during rest periods. Foot valve 49 can only be installed vertically as the closing of the shutter is controlled by gravitational force and not by a spring. Foot valves are unidirectional valves, ensuring that the fluid only flows in one direction. They need to be assembled so that the filtering part (slotted part) is placed downwards.



/ Installation

Normal hydraulic practices should be carried out for the installation of the valve, in particular:

- For a proper installation, near bends or circulation pumps, the installation distance with the valve should be 10 times the pipe diameter.
- Make sure that the two pipes are correctly aligned;
- During assembly, tighten the end of the valve close to the pipe
- The use of fixing material (PTFE) must be limited to the area of the thread. An excess could interfere with the rubber-metal sealing area and impair the functionality of the valve;
- If the fluid contains impurities (dirt, dust, excessive water hardness), they must be removed or filtered using suitable accessories, as they could affect the rubber-metal sealing area and impair the functionality of the valve.

/ Maintenance

Check the valve periodically, depending on its use and working conditions, to make sure it's working properly. In the event of leaks near the gasket, these may be caused by the sediment of some foreign body (dirt, limescale) on the rubber gasket. In this circumstance, disassemble the valve and remove the foreign body with compressed air

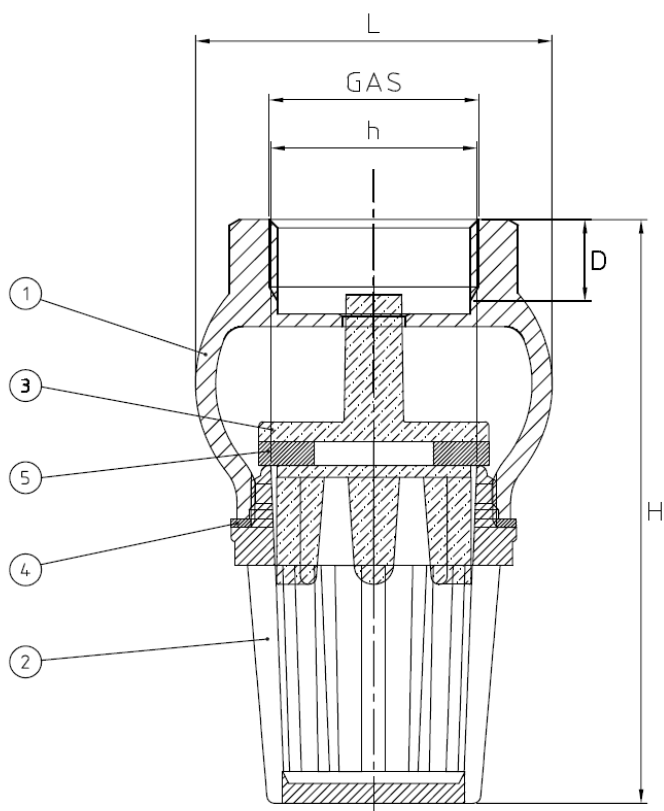
/ Disassembly

To remove the valve from the line or before unscrewing the joints connected to it:

- Wear protective clothing normally required to work with the fluid contained in the line
- Depressurise the line;
- During disassembly, tighten the end of the valve close to the pipe

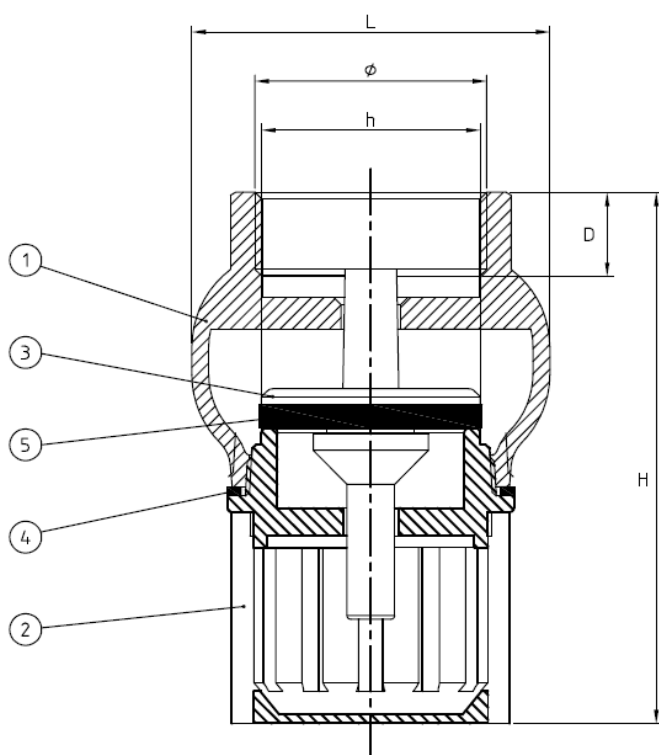
Dimensions

3/4" - 1" - 1"1/4 - 1"1/2 - 2"



GAS	h	H	L	D
1/2"				
3/4"	23	73	45	10
1"	28	81	51	12
1"1/4	34	95	61	13
1"1/2	41	103	68	13
2"	51	121	80	15
2"1/2				
3"				
4"				
5"				

2"1/2 - 3" - 4"



GAS	h	H	L	D
1/2"				
3/4"				
1"				
1"1/4				
1"1/2				
2"				
2"1/2	62	136	103	12
3"	73	151	115	15
4"	93	187	145	22

/ Technical features

Size	Pression	Minimum temperature °C	Maximum temperature °C
3/4" ÷ 1"	10 bar	0	90
1"1/4 ÷ 2"	8 bar	0	90
2"1/2 ÷ 4"	6 bar	0	90

/ Components and materials

N°	Description	Material	Q.ty
1	Body	Brass	1
2	Filter	Brass	1
3	Shutter	Brass	1
4	Gasket	NBR	1
5	Shutter gasket	NBR	1