

### Description

Manometers dial Ø63 with maximum pressure indicator, bottom and back entry thread 1/4".

### Product line

ART.	SIZE	BAR	CODE
257	1/4"	0-4	91257AB04
257	1/4"	0-6	91257AB06
257	1/4"	0-10	91257AB10
257	1/4"	0-16	91257AB16
263	1/4"	0-4	91263AB04
263	1/4"	0-6	91263AB06
263	1/4"	0-10	91263AB10

### Features

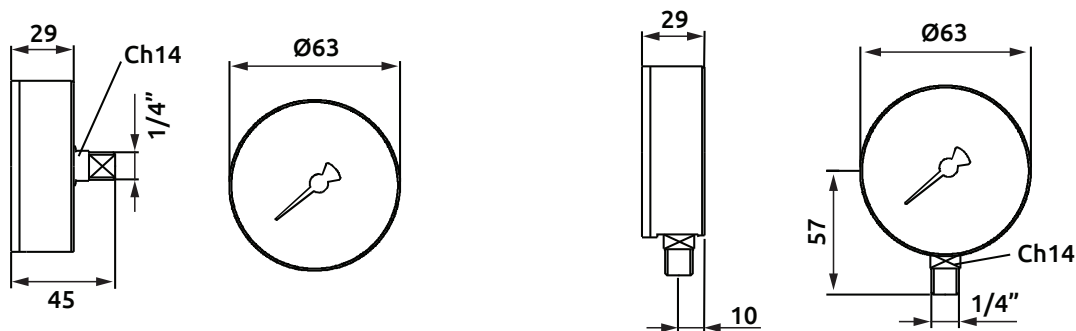
#### Materials

<b>Case:</b>	ABS black
<b>Window:</b>	Plastic with red pointer
<b>Face:</b>	Plastic white
<b>Stem:</b>	Brass
<b>Sensing element :</b>	Copper alloy Bourdon tube
<b>Amplifying movement:</b>	Brass for precision clockwork

#### Technical specifics

<b>Reference standards:</b>	EN837-1 - Compliant with INAIL norm
<b>Operating pressures:</b>	Static: 75% full scale Fluctuating: 60% full scale (for short time 100%)
<b>Operating temperatures:</b>	Room: -20°C to +60°C Fluid: +60°C max Storage; -20°C to +60°C
<b>Accuracy class:</b>	cl 1.6
<b>Degree of protection:</b>	IP31 per EN 60 529 / IEC 529

### Dimensions

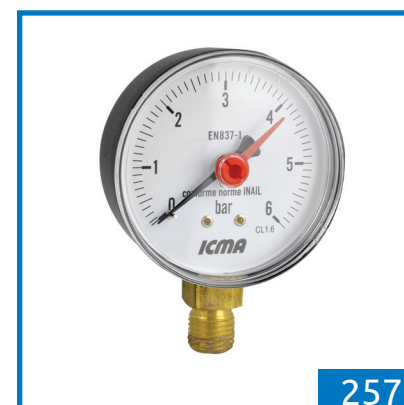


Art. 263

Art. 257



263



257