

### / Function

Lockshields are articles used to shut off and adjusting the flow rate of the heat transfer fluid to the radiators of air conditioning systems. Lockshields of this series are complete with nuts and unions that allow connection to the radiator in a simple and safe way.

The connections for the pipes instead are specific to the copper pipe, multilayer and Pe-X with threads from M24X1,5, G1/2" and G3/8", and for iron pipe with threads from G1/2".



### / Products

#### CHROME LOCKSHIELDS FOR COPPER PIPE, MULTILAYER AND PE-X

Article	Code	Type	Connection	Radiator
1118	821118AC07	Angled	24x1,5	G 3/8" M
1118	821118AD07	Angled	24x1,5	G 1/2" M
1119	821119AC07	Straight	24x1,5	G 3/8" M
1119	821119AD07	Straight	24x1,5	G 1/2" M

#### CHROME LOCKSHIELDS FOR IRON PIPE

Article	Code	Type	Connection	Radiator
1120	821120AD06	Angled	G 1/2" F	G 1/2" M
1121	821121AD06	Straight	G 1/2" F	G 1/2" M

#### WHITE LOCKSHIELDS FOR COPPER PIPE, MULTILAYER AND PE-X

Article	Code		Type	Connection	Radiator
1130	821130AC13	821130AC1307*	Angled	24x1,5	G 3/8" M
1130	821130AD13	821130AD1307*	Angled	24x1,5	G 1/2" M
1131	821131AC13	821131AC1307*	Straight	24x1,5	G 3/8" M
1131	821131AD13	821131AD1307*	Straight	24x1,5	G 1/2" M

#### WHITE LOCKSHIELDS FOR IRON PIPE

Article	Code		Type	Connection	Radiator
1132	821132AD13	821132AD1307*	Angled	G 1/2" F	G 1/2" M
1133	821133AD13	821133AD1307*	Straight	G 1/2" F	G 1/2" M

\*With chromed radiator connection and nut

### / Technical features

#### Technical data

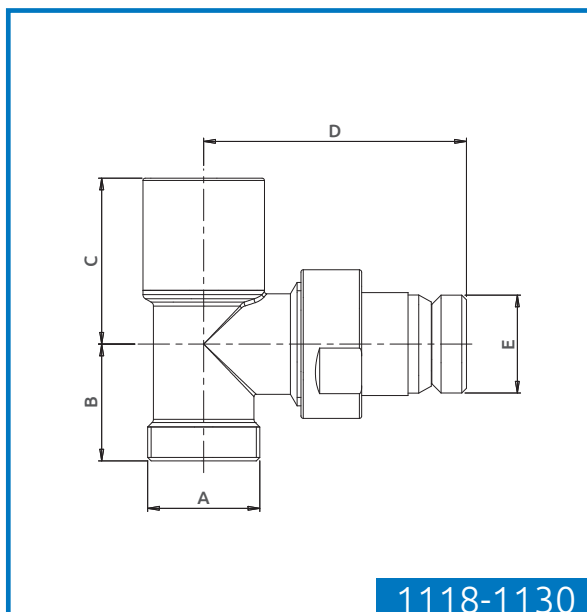
Fluids used:	Water and glycol solutions
Max glycol rate:	30%
Max working pressure:	10 Bar
Max differential pressure:	1 Bar
Heat transfer fluid temperature:	5 ÷ 120°C

#### Materials

Body, nut and union:	Brass CW617N - UNI 12165 - Nickel
Control rod and nut:	Brass CW614N - UNI 12164
Hydraulic seals:	EPDM Peroxide
Protection cover:	ABS white

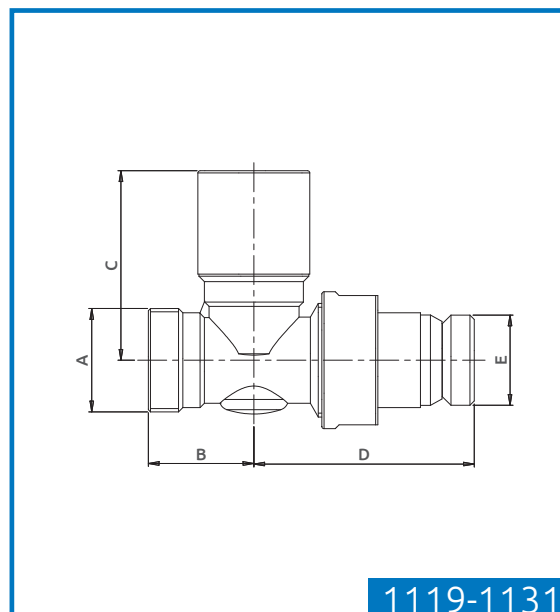
### Code and dimensions

Lockshields for copper pipe, multilayer and Pe-x



1118-1130

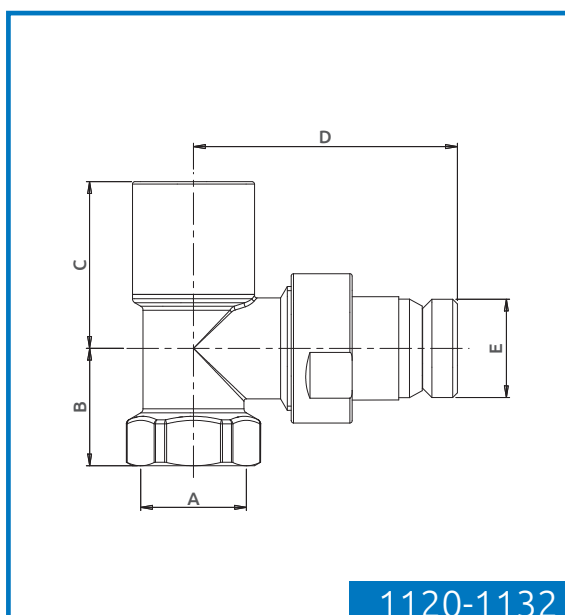
CODE	A	B	C	D	E
821118AC07	G3/8" M	24x1,5	53	24	51,5
821118AD07	G1/2" M	24x1,5	54,5	24	51,5
821130AC13	G3/8" M	24x1,5	53	24	51,5
821130AD13	G1/2" M	24x1,5	54,5	24	51,5



1119-1131

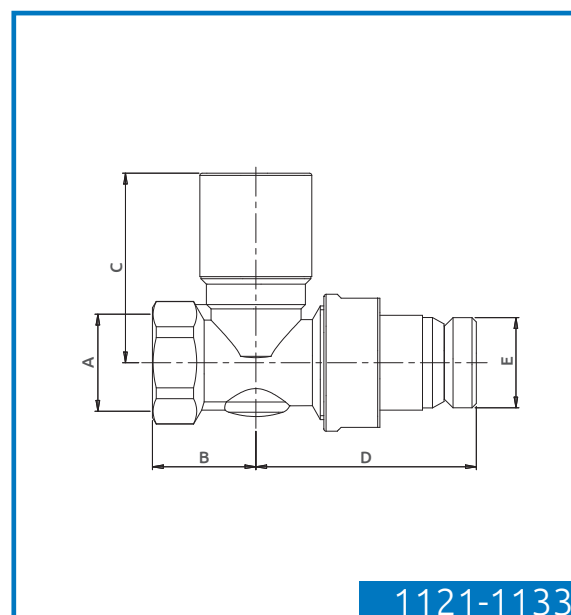
CODE	A	B	C	D	E
821119AC07	G3/8" M	24x1,5	50	24,5	61,5
821119AD07	G1/2" M	24x1,5	52	24,5	61,5
821131AC13	G3/8" M	24x1,5	50	24,5	61,5
821131AD13	G1/2" M	24x1,5	50	24,5	61,5

### Lockshields for iron pipe



1120-1132

CODE	A	B	C	D	E
821120AD06	G1/2"	G1/2"	53	23	51,5
821132AD13	G1/2"	G1/2"	54	24	51,5



1121-1133

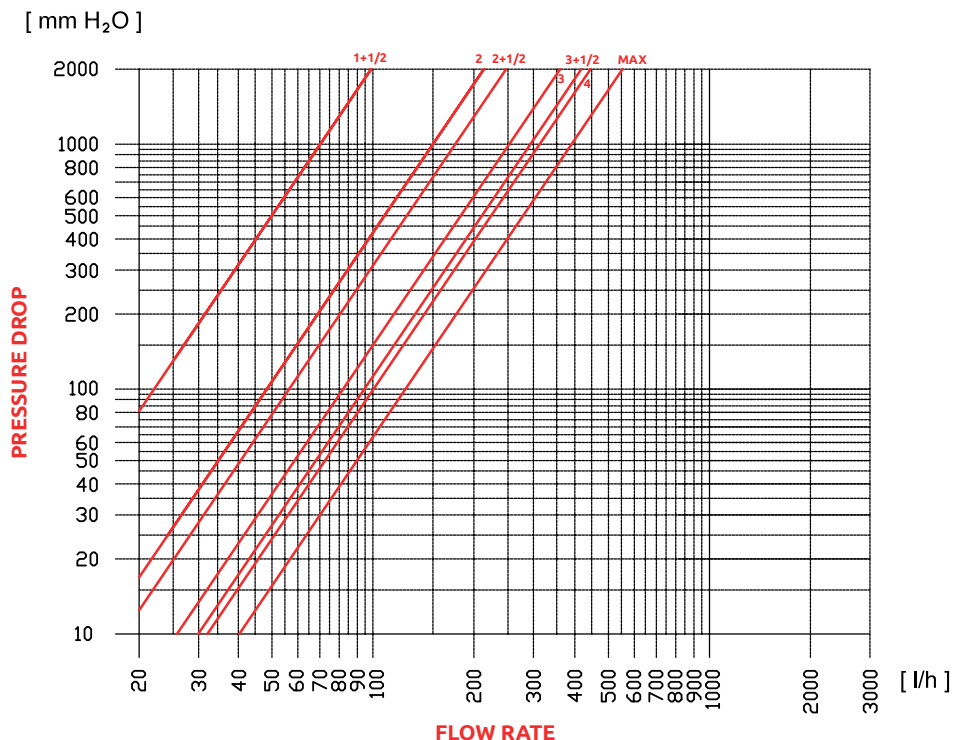
CODE	A	B	C	D	E
821121AD06	G1/2"	G1/2"	50	23	61,5
821121AD06	G1/2"	G1/2"	52	24	61,5

### / Hydraulic characteristics

#### Angled lockshields

Angled lockshield - Art. 1118-1120-1130-1131 3/8" - 1/2"

**PRESSURE DROP DIAGRAM**

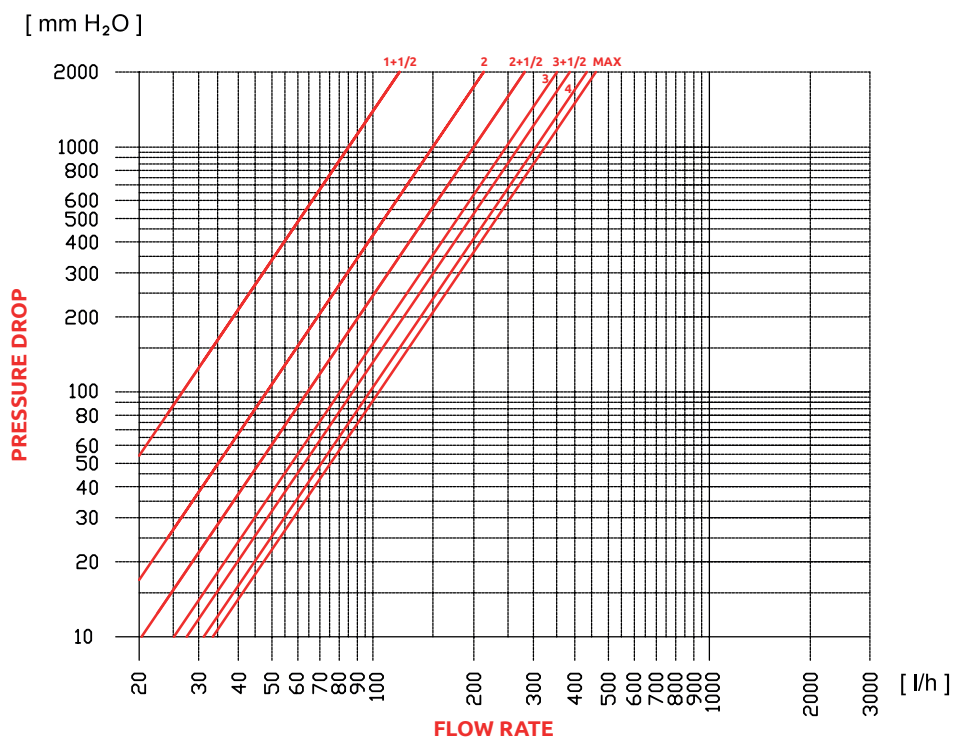


ROUNDS NUMBER ⊙	Kv [m³/h]
1+1/2	0,23
2	0,48
2+1/2	0,55
3	0,81
3+1/2	0,91
4	1,01
MAX	1,21

#### Straight lockshields

Straight lockshield - Art. 1119-1121-1131-1133 3/8" - 1/2"

**PRESSURE DROP DIAGRAM**



ROUNDS NUMBER ⊙	Kv [m³/h]
1+1/2	0,27
2	0,47
2+1/2	0,63
3	0,77
3+1/2	0,86
4	0,98
MAX	1,05